

NIGHTFORCE®

2021 PRODUCT CATALOG



NIGHTFORCE®

RUGGED. RELIABLE. REPEATABLE.

Nightforce was born in 1992 with the vision that everything we build will meet this promise. For nearly three decades, we have designed and built optics and mounting systems that have been tested in the harshest conditions on earth.

Whether you are preparing for a deployment, your next shift, a world championship, or the hunt of a lifetime, thank you for putting your trust in the optical performance, consistent tracking, and durability of your Nightforce. If you are purchasing your first Nightforce, we are excited for you to experience why we are the choice of USSOCOM, numerous other special operations units worldwide, world champion competitive shooters, and the world's most discerning hunters.





Never Compromising Quality	2
Proprietary Features	3
ATACR™ Riflescopes	4-13
ATACR™ 1-8 x 24 F1	6
ATACR™ 4-16 x 42 F1	7
ATACR™ 4-16 x 50	8
ATACR™ 4-20 x 50 F1	9
ATACR™ 5-25 x 56 F1	10
ATACR™ 5-25 x 56	11
ATACR™ 7-35 x 56 F1/F2	13
NX8™ Riflescopes	14-19
NX8™ 1-8 x 24 F1	16
NX8™ 2.5-20 x 50 F1/F2	17
NX8™ 4-32 x 50 F1/F2	18
NXS™ Riflescopes	20-27
NXS™ 2.5-10 x 42 Compact	22
NXS™ 3.5-15 x 50	23
NXS™ 5.5-22 x 50/56	26
NXS™ 8-32 x 56	27
SHV™ Riflescopes	28-33
SHV™ 3-10 x 42	30
SHV™ 4-14 x 50 F1	31
SHV™ 4-14 x 56	32
SHV™ 5-20 x 56	33
Competition™ and Precision Benchrest Riflescopes	34-39
Competition™ 15-55 x 52	36
Competition™ SR Fixed 4.5 x 24	37
Precision Benchrest 8-32 x 56	38
Precision Benchrest 12-42 x 56	39
Reticles	40-47
Accessories	48-57
X-Treme Duty™ Rings & Bases	50-53
Standard Duty Rings & Bases	54
Nightforce Tool Kit & Cleaning Kit	55
Ringtop Accessories	56
Other Accessories	57
Spotting Scopes and Accessories	58-62
TS-82™ Spotting Scopes	60
TS-80™ Spotting Scope	61
Spotting Scope Accessories	62
Apparel	63-65
Nightforce MIL-SPEC	66-67
Warranty & Customer Service	68
Contact Us	69

NEVER COMPROMISING QUALITY

There is no such thing as “mass production” at Nightforce. Only a skilled human eye and experienced hands are sensitive enough to perform many of the critical operations involved in assembling a precision optical instrument.

Before they leave the factory, Nightforce riflescopes are subjected to conditions far beyond most anything you will ever encounter in the field. During our impact tests, riflescopes must endure repeated impacts of over 1200 Gs of force on multiple axes. After each severe impact, the riflescope is hand-checked for tracking accuracy and overall integrity. We rigorously test and inspect to ensure your Nightforce will work when you need it most.

PROPRIETARY FEATURES

The Nightforce team is comprised of avid and experienced shooters and hunters. Our passion and creativity fuels Nightforce's development of new technology that makes shooting faster, easier, and more intuitive. Below are just a few of the many innovative features that make a Nightforce, a Nightforce.

ZeroStop NIGHTFORCE

After sighting in your rifle, simply set the ZeroStop® according to the instructions, and you create a positive mechanical stopping point at your chosen zero point. No matter how many elevation adjustments you make, turning the elevation knob down to the ZeroStop® setting returns you to your original zero, completely by feel.

ZeroSET NIGHTFORCE

Created for our SHV™ 5-20 x 56 and 4-14 x 50 F1 riflescopes. It provides a quick and efficient means of returning to your zero setting, even after you've made several elevation adjustments.

ZeroHOLD NIGHTFORCE

A low-profile mechanism utilized on the ATACR™ 4-16x42 F1. It holds the elevation adjustment at zero until the ZeroHold™ button is depressed. It allows a rapid return to zero after making elevation adjustments, and also lets the shooter dial below zero.

Digillum

Digital reticle illumination technology is available in many of our riflescopes. Choose the appropriate illumination setting for your lighting conditions—either red or green, in multiple intensities.



All Nightforce riflescopes
are rated for use with .50 BMG rifles.



ATACR™

Our Advanced Tactical Riflescope™ line is designed for, built for, and selected by the most discerning professional users from around the globe.

ATACR riflescopes are trusted by the most revered military and law enforcement units and with those who desire professional performance from their equipment.

All ATACR™ riflescopes feature ED glass, which produces brilliant images, superb color contrast, and exceptional resolving power—allowing you to distinguish the smallest targets at extreme distances.

The mechanical features, optical quality, and durability of ATACR riflescopes provide tremendous capability in any condition. They truly are an investment in a lifetime of accuracy and reliability.

ATACR™

1-8x24 F1

The ATACR™ 1-8x24 F1 is the platform chosen for the USSOCOM Squad-Variable Power Scope (S-VPS) contract. At close distances, the daylight-visible reticle illumination and true 1x magnification allow for rapid engagements similar to a red dot sight. When the target distance increases, our 1-8x magnification range allows you to detect, recognize, identify, and engage targets at ranges far beyond a traditional red dot sight. Just over 10 inches in length and only 21 ounces, with low-profile turrets, it is a significant upgrade to any rifle system.



Magnification range	1-8x	Eye relief	3.7 in/95 mm
Focal plane	First	Field of view @ 100 yd/m	1x: 96.1 ft/32.0 m 8x: 13.1 ft/4.4 m
Body tube diameter	34 mm	Exit pupil	1x: 11.3 mm 8x: 3.2 mm
Overall length	10.1in/256 mm	Illumination	Daylight visible, externally adjustable, two night vision compatible settings
Mounting length	5.7 in/144 mm	Elevation feature	Capped, finger adjustable
Weight	21.0 oz/595 g	Power Throw Lever	Standard
Click value	.1 MRAD	Reticles available	FC-DMX™
Internal adjustment range	E: 30 MRAD W: 30 MRAD		
Parallax adjustment	Fixed @ 125 m		



4-16x42 F1

The ATACR™ 4-16x42 F1 was created to maximize the potential of precision semi-automatic rifles—a need identified by military and civilian shooters. The ZeroHold feature holds the turret at zero and is designed for rapid target engagement with holdover reticles such as the Horus TREMOR3™ or the Mil-XT. At 12.6in long and 30oz, the small footprint leaves ample room for weapon mounted rangefinders, clip-on enablers, and anything else needed to accomplish your mission.



Magnification range	4-16x	Eye relief	3.5 in/90 mm
Focal plane	First	Field of view @ 100 yd/m	4x: 26.9 ft/9.0 m 16x: 6.9 ft/2.3 m
Body tube diameter	34 mm	Exit pupil	4x: 10.3 mm 16x: 2.7 mm
Overall length	12.6 in/320 mm	Illumination	Digillum™
Mounting length	6.3 in/160 mm	Elevation feature	ZeroHold®
Weight	30.0 oz/850 g	Power Throw Lever	Standard
Click value	.250 MOA or .1 MRAD	Reticles available	MOAR™ MIL-C™ MIL-R™ MIL-XT™ H-59™ TREMOR3™
Internal adjustment range	E: 89 MOA/26 MRAD W: 60 MOA/18 MRAD		
Parallax adjustment	45 yd-∞		

ATACR™

4-16x50

The ATACR™ 4-16x50 delivers superb low-light performance, ED glass and extensive elevation adjustment, housed in a riflescope impervious to recoil from the largest calibers. Hunters and Law Enforcement frequently opt for second focal plane riflescopes due to the consistent size and highly visible reticle that is beneficial for rapid but critical shots at lower magnification.

Whether counting the points of a trophy buck or distinguishing friend from foe, the ATACR 4-16x50 has the resolution and clarity to excel in either role.

ZeroStop
ADJUSTMENT

Digillum
ILLUMINATION



Magnification range	4-16x	Eye relief	3.5 in/89 mm
Focal plane	Second	Field of view @ 100 yd/m	4x: 26.9 ft/9.0 m 16x: 6.9 ft/2.3 m
Body tube diameter	34 mm	Exit pupil	4x: 9.5 mm 16x: 3.2 mm
Overall length	13.1 in/333 mm	Illumination	Digillum™
Mounting length	6.3 in/161 mm	Elevation feature	ZeroStop®
Weight	33.3 oz/944 g	Power Throw Lever	Standard
Click value	.250 MOA or .1 MRAD	Reticles available	MOAR™ MIL-R™
Internal adjustment range	E: 110 MOA/30 MRAD W: 60 MOA/16 MRAD		
Parallax adjustment	45 yd-∞		



4-20x50 F1

New for 2021, the 4-20x50 F1 fills an important magnification range in the ATACR line. Equally at home atop a bolt action or a semi-automatic rifle, the 4-20x50 F1 is smaller and lighter than the 5-25x56 F1 while offering a 25% improvement in magnification over the 4-16x42 F1. With Digillum, a ZeroStop turret, power throw lever, ED lenses, and 20x max magnification, the ATACR 4-20x50 F1 is our apex mid-power scope.



Magnification range	4-20x
Focal plane	First
Body tube diameter	34 mm
Overall length	13.9 in/353 mm
Mounting length	4.1 in/104 mm
Weight	35.2 oz/998 g
Click value	.250 MOA or .1 MRAD
Internal adjustment range	E: 130 MOA/38 MRAD W: 100 MOA/29 MRAD
Parallax adjustment	11 yd-∞

Eye relief	3.5 in/90 mm
Field of view @ 100 yd/m	4x: 23.6 ft/7.9 m 20x: 6.1 ft/2.0 m
Exit pupil	4x: 8.3 mm 20x: 2.5 mm
Illumination	Digillum™
Elevation feature	ZeroStop®
Power Throw Lever	Standard
Reticles available	MOAR™ MIL-C™ MIL-X™ TREMOR3™

ATACR™

5-25x56 F1

The ATACR™ 5-25x56 F1 use of ED glass produces images of striking brilliance and clarity. First focal plane technology means consistent reticle values, regardless of magnification setting. A wide range of both MOA and MRAD reticle options provides the perfect reticle for any use. A massive 120 MOA/35 MRAD of elevation adjustment complements today's high-BC, long range cartridges to reach targets previously thought to be out of range.

ZeroStop[®] WATERPROOF Digillum



Magnification range	5-25x	Eye relief	3.5 in/90 mm
Focal plane	First	Field of view @ 100 yd/m	5x: 18.7 ft/6.2 m 25x: 4.9 ft/1.6 m
Body tube diameter	34 mm	Exit pupil	5x: 8.3 mm 25x: 2.3 mm
Overall length	15.4 in/390 mm	Illumination	Digillum™
Mounting length	5.9 in/150 mm	Elevation feature	ZeroStop®
Weight	37.6 oz/1066 g	Power Throw Lever	Standard
Click value	.250 MOA or .1 MRAD	Reticles available	MOAR™ MIL-C™ MIL-R™ MIL-X™ H-59™ TREMOR3™
Internal adjustment range	E: 120 MOA/35 MRAD W: 80 MOA/24 MRAD		
Parallax adjustment	45 yd-∞		

ATACR™

5-25x56

The ATACR™ 5-25x56 will exceed the potential of the flattest-shooting cartridges and high ballistic coefficient projectiles. Multiple Second Focal Plane reticles tailored in design for hunting and target shooting ensure a crisp and consistent target view. Like all ATACR riflescopes, the ED glass provides extraordinary resolution and brilliant images at all distances.

ZeroStop[®] Digillum



Magnification range	5-25x
Focal plane	Second
Body tube diameter	34 mm
Overall length	14.3 in/363 mm
Mounting length	6.1 in/156 mm
Weight	39.1 oz/1108 g
Click value	.250 MOA or .1 MRAD
Internal adjustment range	E: 120 MOA/35 MRAD W: 60 MOA/17 MRAD
Parallax adjustment	45 yd-∞

Eye relief	3.5 in/90 mm
Field of view @ 100 yd/m	5x: 18.0 ft/6.0 m 25x: 4.9 ft/1.6m
Exit pupil	5x: 10.5 mm 25x: 2.2 mm
Illumination	Digillum™
Elevation feature	ZeroStop®
Power Throw Lever	Standard
Reticles available	MOAR™ MOAR-T™ MIL-R™





7-35x56 F1/F2

If the mission requires the most magnification and razor-sharp images at any magnification then the ATACR 7-35x56 is the ideal choice. Over 100 MOA/29 MRAD of travel and parallax that can focus at just 11 yards allows for use from rimfire and air rifles up to the largest extreme long range rifles. Whether choosing F1 or F2, a variety of reticle options ensure a perfect choice for any application you have for the highly versatile ATACR 7-35x56.



Magnification range	7-35x
Focal plane	First / Second
Body tube diameter	34 mm
Overall length	16.0 in/406 mm
Mounting length	6.6 in/167 mm
Weight	39.3 oz/1113 g
Click value	.250 MOA or .1 MRAD
Internal adjustment range	E: 100 MOA/29 MRAD W: 60 MOA/17 MRAD
Parallax adjustment	11 yd-∞
Eye relief / F1	3.6 in/91 mm
Eye relief / F2	3.5 in/89 mm

Field of view @ 100 yd/m	7x: 15.0 ft/5.0 m 35x: 3.4 ft/1.1 m
Exit pupil	7x: 6.0 mm 35x: 1.6 mm
Illumination	Digillum™
Elevation feature	ZeroStop®
Power Throw Lever	Standard
Reticles available / F1	MOAR™ MIL-C™ MIL-R™ MIL-XT™ H-59™ TREMOR3™
Reticles available / F2	MOAR-T™ MIL-C™



The NX8 logo features the letters 'NX' in white and the number '8' in red, all in a bold, sans-serif font. The background of the entire page is a dark, high-contrast photograph of a rifle with a scope, resting on a gravel surface. A red five-petaled logo is visible in the top left corner.

The NX8™ family of riflescopes evolved from our classic NXS™ series—scopes proven over two decades in the hands of the U.S. Military, hunters and competitive shooters under the most demanding conditions on earth. NX8™ riflescopes build upon this hard-earned reputation. The NX8 family was designed to provide excellent optical performance throughout the remarkable 8x magnification range in the most compact and capable package possible. To achieve this, our optical designers chose to utilize ED glass elements in these designs, which allow for a short optical path while maintaining optical clarity.

Available in magnification ranges from 1-8x to 4-32x in both first and second focal plane models, the NX8 family takes the rugged reliability of the NXS series to a whole new level.

NX8™

1-8x24 F1

At 8.75 inches in length and 17 ounces, the NX8 1-8x24 F1 is a capable addition to any carbine or featherweight rifle. The 8x magnification range provides options in how to use the scope for short- to medium-range shooting. The daylight visible reticle illumination and 1x magnification allow the shooter to engage near targets with the speed of a red dot sight. As the target range increases, the first focal plane reticle provides precise holds and a detailed view of the target.



Magnification range	1-8x	Eye relief	3.7 in/95 mm
Focal plane	First	Field of view @ 100 yd/m	1x: 106.0 ft/35.3 m 8x: 13.2 ft/4.4 m
Body tube diameter	30 mm	Exit pupil	1x: 7.9 mm 8x: 3.0 mm
Overall length	8.7 in/222 mm	Illumination	Daylight visible, externally adjustable
Mounting length	5.7 in/144 mm	Elevation feature	ZeroStop®
Weight	17.0 oz/482 g	Power Throw Lever	Standard
Click value	.500 MOA or .2 MRAD	Reticles available	FC-MOA™ FC-MIL™
Internal adjustment range	E: 100 MOA/30 MRAD W: 100 MOA/30 MRAD		
Parallax adjustment	Fixed @ 125 m		

NX8™

2.5-20x50 F1/F2

The NX8™ 2.5-20x50 provides a versatile magnification range for most hunters and shooters. At only 12 inches in length, the 2.5-20x50 includes a ZeroStop turret and Digillum in this compact package. Both F1 and F2 models are available in MOA and MRAD reticles to suit the endless uses you may find for this optic.

ZeroStop[®] Digillum[™]



Magnification range	2.5-20x	Field of view @ 100 yd/m / F2	2.5x: 36.7 ft/12.2 m 20x: 6.1 ft/2.0 m
Focal plane	First / Second	Exit pupil / F1	2.5x: 7.1 mm 20x: 2.5 mm
Body tube diameter	30 mm	Exit pupil / F2	2.5x: 5.9 mm 20x: 2.5 mm
Overall length / F1	12.0 in/305 mm	Illumination	Digillum™
Overall length / F2	12.1 in/308 mm	Elevation feature	ZeroStop®
Mounting length	5.4 in/138 mm	Power Throw Lever	Standard
Weight / F1	28.3oz/802g	Reticles available / F1	MOAR™ MIL-C™ MIL-XT™ TREMOR3™
Weight / F2	28.6oz/811g	Reticles available / F2	MOAR-CF2™ MIL-CF2™
Click value	.250 MOA or .1 MRAD		
Internal adjustment range	E: 110 MOA/32 MRAD W: 80 MOA/23 MRAD		
Parallax adjustment	11 yd-∞		
Eye relief	3.5 in/88 mm		
Field of view @ 100 yd/m / F1	2.5x: 41.8 ft/13.9 m 20x: 7.0 ft/2.3 m		

NX8™

4-32x50 F1/F2

The NX8™ 4-32x50 provides a large magnification range that tops out at an impressive 32x. Available with multiple MOA and MRAD reticles in first or second focal plane versions, there is an NX8 4-32x available to suit nearly any shooting style or use. In F2 models, the dual scale reticle system provides reticle numbering at both 16x and 32x to allow for accurate subtensions with either a wide field of view or maximum detail as needed.

ZeroStop
DIGILLUM



Magnification range	4-32x	Field of view @ 100 yd/m / F2	4x: 26.0 ft/8.7 m 32x: 4.6 ft/1.5 m
Focal plane	First / Second	Exit pupil / F1	4x: 7.3 mm 32x: 1.6 mm
Body tube diameter	30 mm	Exit pupil / F2	4x: 6.7 mm 32x: 1.6 mm
Overall length / F1	13.4 in/340 mm	Illumination	Digillum™
Overall length / F2	13.5 in/343 mm	Elevation feature	ZeroStop®
Mounting length	5.7 in/145 mm	Power Throw Lever	Standard
Weight / F1	28.6 oz/811 g	Reticles available / F1	MOAR™ MIL-C™ MIL-XT™ TREMOR3™
Weight / F2	28.9 oz/819 g	Reticles available / F2	MOAR-CF2D™ MIL-CF2D™
Click value	.250 MOA or .1 MRAD		
Internal adjustment range	E: 90 MOA/26 MRAD W: 70 MOA/20 MRAD		
Parallax adjustment	11 yd-∞		
Eye relief	3.5 in/88 mm		
Field of view @ 100 yd/m / F1	4x: 26.1 ft/8.7 m 32x: 4.6 ft/1.5 m		







For over 20 years, Nightforce NXS™ riflescopes have defined Rugged, Reliable, Repeatable by performing impeccably in the most brutal, unforgiving environments on earth. NXS™ riflescopes are still trusted in combat, on duty, and on trophy hunts throughout the world. The NXS laid the foundation of our design philosophy that we built upon for our ATACR and NX8 product lines.

The battery of tests Nightforce developed to ensure the ruggedness of the NXS™ riflescopes became the standard by which all Nightforce riflescopes are tested. This includes the side and front impact - a test that would destroy ordinary optics.

The NXS™ family is a legend to Nightforce and that legend lives on in all our products.



2.5-10x42

At 11.9 inches in length and 20.5 ounces in weight, the NXS™ 2.5-10x42 is compact, lightweight, and capable. This scope is at home on a lightweight mountain rifle, fast-handling big bore safari rifle, or on a precision focused AR-15/AR-10.

With a ZeroStop™ elevation turret, side parallax adjustment, and Digillum™ reticle illumination, this scope offers a lot of capability in a package that won't weigh your rifle down.

ZeroStop[™] Digillum[™]



Magnification range	2.5-10x	Eye relief	3.3 in/85 mm
Focal plane	Second	Field of view @ 100 yd/m	2.5x: 44.0 ft/14.7 m 10x: 11.0 ft/3.7 m
Body tube diameter	30 mm	Exit pupil	2.5x: 15.5 mm 10x: 4.4 mm
Overall length	11.9 in/302 mm	Illumination	Digillum™
Mounting length	5.1 in/130 mm	Elevation feature	ZeroStop®
Weight	20.5 oz/581 g	Power Throw Lever	Standard
Click value	.250 MOA or .1 MRAD	Reticles available	MOAR™ MIL-R™
Internal adjustment range	E: 100 MOA/29 MRAD W: 100 MOA/29 MRAD		
Parallax adjustment	25 yd-∞		



3.5-15x50

A Nightforce classic, the NXS™ 3.5-15x50 is a favorite on duty and on the most demanding hunts around the world. The 3.5-15x magnification adapts to a variety of rifle platforms and the ZeroStop turret and illumination allow for accurate shots in varying light conditions. Most importantly, the design, production, and testing processes pioneered on the NXS™ 3.5-15x50 is why Nightforce scopes proudly have the reputation of being “Just About Bulletproof”.

ZeroStop
NIGHTFORCE



Magnification range	3.5-15x
Focal plane	Second
Body tube diameter	30 mm
Overall length	14.7 in/373 mm
Mounting length	6.1 in/155 mm
Weight	30.0 oz/850 g
Click value	.250 MOA
Internal adjustment range	E: 110 MOA W: 80 MOA
Parallax adjustment	50 yd-∞

Eye relief	3.9 in/99 mm
Field of view @ 100 yd/m	3.5x: 27.6 ft/9.2 m 15x: 7.3 ft/2.4 m
Exit pupil	3.5x: 14.3 mm 15x: 3.6 mm
Illumination	Analog
Elevation feature	ZeroStop®
Power Throw Lever	Accessory
Reticles available	MOAR™



JUST ABOUT BULLETPROOF

This NXS™ 3.5-15x50 Nightforce riflescope was shot by an enemy 7.62 x 39 round fired at a U.S. soldier. The unharmed serviceman used it for the next three days, completing his mission. We receive many stories like this because Nightforce riflescopes, in the hands of professional users throughout the world, are subjected to and survive the most brutal conditions imaginable.





5.5-22x50/56

The NXS™ 5.5-22x is a combat-proven favorite of sportsmen and long-range shooters everywhere. Both models provide excellent eye relief, a ZeroStop elevation turret, and 100 MOA of elevation travel. Available in both the popular MOAR and the finer MOAR-T reticles, the NXS 22x riflescopes provide a high-resolution view of both the target and the reticle.



Magnification range	5.5-22x	Parallax adjustment	50 yd-∞
Focal plane	Second	Eye relief / 22x50	3.7 in/95 mm
Body tube diameter	30 mm	Eye relief / 22x56	3.9 in/99 mm
Overall length / 22x50	15.1 in/384 mm	Field of view @ 100 yd/m	5.5x: 17.5 ft/5.8 m 22x: 4.7 ft/1.6 m
Overall length / 22x56	15.2 in/385 mm	Exit pupil / 22x50	5.5x: 9.1 mm 22x: 2.3 mm
Mounting length	6.6 in/168 mm	Exit pupil / 22x56	5.5x: 10.2 mm 22x: 2.5 mm
Weight / 22 x50	31.0 oz/879 g	Illumination	Analog
Weight / 22x56	32.0 oz/907 g	Elevation feature	ZeroStop®
Click value	.250 MOA	Power Throw Lever	Accessory
Internal adjustment range	E: 100 MOA W: 60 MOA	Reticles available	MOAR™ MOAR-T™



8-32x56

The NXS™ 8-32x56 provides the extra-magnification that hunters and many competitors need. It has been the choice of dozens of winners of the most demanding, prestigious competitions in the world, including several Wimbledon Cups. With legendary Nightforce construction, the rugged and reliable NXS™ 8-32x56 will be a trusted companion for a lifetime of competitions and hunts.

ZeroStop
NIGHTFORCE



Magnification range	8-32x
Focal plane	Second
Body tube diameter	30 mm
Overall length	15.9 in/404 mm
Mounting length	6.7 in/170 mm
Weight	34.0 oz/964 g
Click value	.250 MOA
Internal adjustment range	E: 65 MOA W: 45 MOA
Parallax adjustment	50 yd-∞

Eye relief	3.9 in/98 mm
Field of view @ 100 yd/m	8x: 12.1 ft/4.0 m 32x: 3.1 ft/1.0 m
Exit pupil	8x: 7.0 mm 32x: 1.8 mm
Illumination	Analog
Elevation feature	ZeroStop®
Power Throw Lever	Accessory
Reticles available	MOAR™ MOAR-T™





Nightforce Shooter, Hunter, Varminter, SHV™, riflescopes are designed for maximum versatility across a wide range of shooting disciplines. Whether you enjoy target shooting, pursuing big game, varmint shooting, or all of the above, there is an SHV™ designed for you.

The SHV™ line was specifically designed for hunters and shooters who want Nightforce quality and don't need all the features of our NX8™ and ATACR™ lines. Our Rugged, Reliable, Repeatable promise means that the SHV will outperform many optics and brands that cost much more.



3-10x42

The SHV™ 3-10x42 is a compact and lightweight choice for your rimfire, lever-action, or hunting rifle. An easily adjusted, rotary illumination ensures the reticle is clearly visible in any lighting condition.

Whether your target is squirrel, boar, or buffalo, the SHV™ 3-10x42 provides a bright, crisp image, excellent resolution, and reliable performance.



Magnification range	3-10x
Focal plane	Second
Body tube diameter	30 mm
Overall length	11.6 in/295 mm
Mounting length	5.1 in/130 mm
Weight	22.2 oz/629 g
Click value	.250 MOA
Internal adjustment range	E: 90 MOA W: 80 MOA
Parallax adjustment	Fixed @ 125 yd

Eye relief	3.5 in/88 mm
Field of view @ 100 yd/m	3x: 34.9 ft/11.6 m 10x: 11.0 ft/3.7 m
Exit pupil	3x: 10.7 mm 10x: 4.4 mm
Illumination	Analog
Elevation feature	Capped, finger adjustable
Power Throw Lever	Accessory
Reticles available	MOAR™ Forceplex™ (N. Amer.) 4A (Int'l only)



4-14x50 F1

Those who prefer the advantages of first focal plane reticle placement have a winner in our SHV™ 4-14x50 F1. The exposed ZeroSet elevation adjustment, in either .250 MOA or .1 Mil-Radian increments, is standard as is a center-illuminated reticle. The versatility, optical quality, and mechanical durability of the 4-14x50 F1 SHV are sure to reward you for years to come.



Magnification range	4-14x
Focal plane	First
Body tube diameter	30 mm
Overall length	14.8 in/376 mm
Mounting length	6.1 in/155 mm
Weight	30.0 oz/850 g
Click value	.250 MOA or .1 MRAD
Internal adjustment range	E: 90 MOA/27 MRAD W: 70 MOA/19 MRAD
Parallax adjustment	25 yd-∞

Eye relief	3.1 in/80 mm
Field of view @ 100 yd/m	4x: 25.1 ft/8.4 m 14x: 7.4 ft/2.5 m
Exit pupil	4x: 10.8 mm 14x: 3.3 mm
Illumination	Analog
Elevation feature	ZeroSet™
Power Throw Lever	Accessory
Reticles available	MOAR™ MIL-R™



4-14x56

The SHV™ 4-14x56 remains one of the most versatile riflescopes we make. Equally efficient in putting small groups on paper at long ranges, or matched with a powerful, flat-shooting rifle for big game most anywhere on earth.

It certainly isn't short on features with side parallax control, a choice of illuminated and non-illuminated reticles, and clarity, brightness, and resolution you must see to appreciate.



Magnification range	4-14x	Eye relief	3.6 in/92 mm
Focal plane	Second	Field of view @ 100 yd/m	4x: 24.9 ft/8.3 m 14x: 7.3 ft/2.2 m
Body tube diameter	30 mm	Exit pupil	4x: 12.0 mm 14x: 3.6 mm
Overall length	14.8 in/376 mm	Illumination	Analog (Optional)
Mounting length	5.8 in/147 mm	Elevation feature	Capped, finger adjustable
Weight	26.9 oz/763 g (non-illum) 28.5 oz/808 g (illum)	Power Throw Lever	Accessory
Click value	.250 MOA	Reticles available	MOAR™ 4A (Int'l only)
Internal adjustment range	E: 90 MOA W: 70 MOA		
Parallax adjustment	25 yd-∞		



5-20x56

The SHV™ 5-20x56 is the most powerful of our SHV™ series performing beautifully at both close and extended ranges.

It offers outstanding clarity, crispness and color contrast at every magnification setting. It also features a full 80 MOA of elevation adjustment, side parallax adjustment and ZeroSet™ technology which allows a quick return to your initial zero setting, regardless of how many elevation adjustments you've made.



Magnification range	5-20x	Eye relief	3.5 in/90 mm
Focal plane	Second	Field of view @ 100 yd/m	5x: 17.9 ft/6.0 m 20x: 5.0 ft/1.7 m
Body tube diameter	30 mm	Exit pupil	5x: 8.7 mm 20x: 2.5 mm
Overall length	15.2 in/386 mm	Illumination	Analog (Optional)
Mounting length	6.5 in/165 mm	Elevation feature	ZeroSet™
Weight	29.1 oz/825 g (non-illum) 30.5 oz/865 g (illum)	Power Throw Lever	Accessory
Click value	.250 MOA	Reticles available	MOAR™ Forceplex™ (N. Amer.) 4A (Int'l only)
Internal adjustment range	E: 80 MOA W: 50 MOA		
Parallax adjustment	25 yd-∞		



COMPETITION™

PRECISION BENCHREST

As rifle shooting competitions become ever-more demanding, we identified the need for a new class of riflescopes capable of maximum precision at any distance. Our relationships with top shooters and teams have led to tailor-made riflescopes used to set records and win world championships. This is our Competition™ family.

Competition™ riflescopes are purpose-built for the competitive shooter. They are not double-duty or modified optics with a fancy name applied.

All Competition™ and Precision Benchrest riflescopes are carefully matched with our own unique reticles, developed over decades of experience and with input from record-setting shooters, created specifically to complement the extraordinary ability of these riflescopes.



Nightforce is proud to be a long-time supporter of the U.S. F-Class rifle teams and other competitive teams throughout the world.

COMPETITION™

15-55x52

The Competition™ 15-55x52 continues to set new standards for long-range performance.

The U.S., Australian and South African F-Class rifle teams praise its exceptional clarity and resolving power. Its robust construction allows the 15-55x52 to digest thousands of rounds and always respond like new.

Many professional shooters have labeled it, “the perfect F-Class riflescope.” We’ll let you and your scores, be the judges.

ZeroStop
RIFLESCOPE



Magnification range	15-55x	Eye relief	3.2 in/81 mm
Focal plane	Second	Field of view @ 100 yd/m	15x: 6.9 ft/2.3 m 55x: 1.8 ft/0.6 m
Body tube diameter	30 mm	Exit pupil	15x: 3.5 mm 55x: 0.9 mm
Overall length	16.2 in/411 mm	Illumination	Non-illuminated
Mounting length	6.4 in/162 mm	Elevation feature	ZeroStop®
Weight	27.9 oz/790 g	Power Throw Lever	N/A
Click value	.125 MOA	Reticles available	CTR-2™ CTR-3™ DDR-2™ FCR-1™
Internal adjustment range	E: 55 MOA W: 50 MOA		
Parallax adjustment	25 yd-∞		

COMPETITION™

SR FIXED 4.5x24

The Competition™ SR Fixed 4.5x24 was created to dominate service rifle matches held under both Civilian Marksmanship Program (CMP) and NRA rules and it has. The Comp SR 4.5x24 has been used to set new national records and achieve perfect scores in High Power and President's 100 competitions.

This riflescope complies with match rules that allow the use of riflescopes having a maximum magnification of 4.5x and an objective lens of 34mm or less.

It is compact, lightweight, and repeatable over a lifetime of hard use.

ZeroStop
RETICLE



Magnification range	4.5x
Focal plane	Second
Body tube diameter	30 mm
Overall length	9.9 in/251 mm
Mounting length	6.6 in /168 mm
Weight	15.4 oz/437 g
Click value	.250 MOA
Internal adjustment range	E: 100 MOA W: 100 MOA
Parallax adjustment	Fixed @ 200 yds

Eye relief	3.7 in/95 mm
Field of view @ 100 yd/m	23.2 ft/7.7 m
Exit pupil	5.3 mm
Illumination	Non-illuminated
Elevation feature	ZeroStop®
Power Throw Lever	N/A
Reticles available	SR-2™

PRECISION BENCHREST

8-32x56

For over 25 years, the Precision Benchrest riflescopes have been a favorite of competition target shooters. The large, 56mm objective with adjustable objective parallax allow precise adjustment and a clear, high-resolution target image. The illumination control allows the brightness of the fine reticles to be adjusted based on light and target color.

The Precision Benchrest 8-32x56 is most popular for Short Range Benchrest and Silhouette shooting.



Magnification range	8-32x	Eye relief	3.0 in/75 mm
Focal plane	Second	Field of view @ 100 yd/m	8x: 9.4 ft/3.1 m 32x: 3.1 ft/1.0 m
Body tube diameter	30 mm	Exit pupil	8x: 5.6 mm 32x: 1.7 mm
Overall length	16.6 in/422 mm	Illumination	Analog
Mounting length	5.5 in/140 mm	Elevation feature	Capped, finger adjustable
Weight	36.0 oz/1021 g	Power Throw Lever	N/A
Click value	.125 MOA	Reticles available	NP-R2™
Internal adjustment range	E: 50 MOA W: 50 MOA		
Parallax adjustment	25 yd-∞		

PRECISION BENCHREST

12-42x56

The Precision Benchrest riflescopes have remained virtually unchanged since we first introduced them over 25 years ago. The 1/8 MOA target turrets and purpose-built target reticles are a time-tested favorite of benchrest competitors. As a favorite of .50 BMG shooters, their ruggedness is beyond question.

The Precision Benchrest 12-42x56 is most popular for Long Range Benchrest and F-Class shooting.



Magnification range	12-42x
Focal plane	Second
Body tube diameter	30 mm
Overall length	17.0 in/432 mm
Mounting length	5.9 in/150 mm
Weight	36.0 oz/1021 g
Click value	.125 MOA
Internal adjustment range	E: 40 MOA W: 40 MOA
Parallax adjustment	25 yd-∞

Eye relief	3.0 in/75 mm
Field of view @ 100 yd/m	12x: 6.7 ft/2.2 m 42x: 2.3 ft/0.8 m
Exit pupil	12x: 4.0 mm 42x: 1.4 mm
Illumination	Analog
Elevation feature	Capped, finger adjustable
Power Throw Lever	N/A
Reticles available	NP-R2™ NP-2DD™

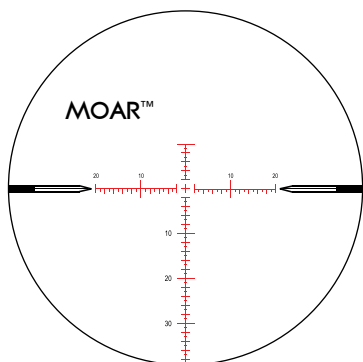


RETICLES

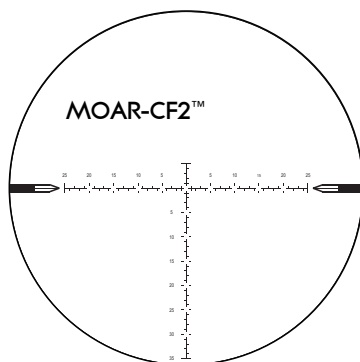
Choosing a reticle is often the most challenging part of a riflescope purchase. Reticles are how shooters interact with the target, making the selection both a very personal choice and an important factor in how well the riflescope performs a specific use.

The team at Nightforce is made up of hunters and shooters who are incredibly passionate about offering reticles that are functional and purpose built. With many options in F1 and F2, Minute of Angle (MOA) and Mil-Radian (MRAD), there is a Nightforce reticle that is specifically designed for almost every imaginable use for a riflescope.

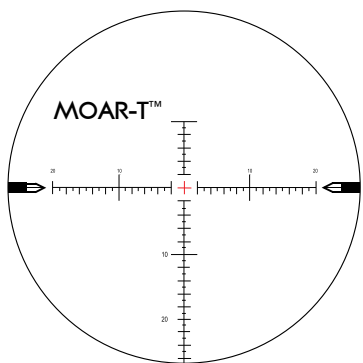
MINUTE OF ANGLE



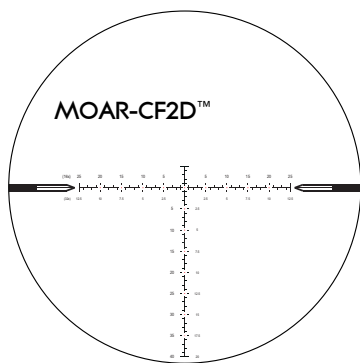
Our most popular MOA-based reticle. Intelligent and highly versatile across almost any shooting application.



An evolution of our most popular MOAR reticle. The open center with floating dot and intuitive numbering allows for fast shooting whether dialing or holding over.



A finer version of our MOAR™, allowing even greater precision close or extreme ranges.



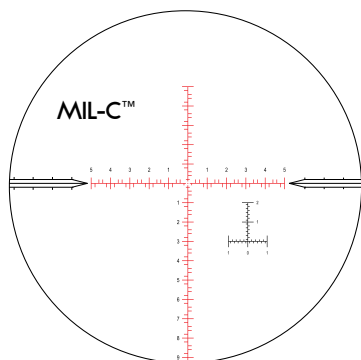
A Dual Scale version of our MOAR-CF2 reticle. Specifically designed for use at 16x and 32x on the NX8 4-32x50.

Minute of Angle Explained

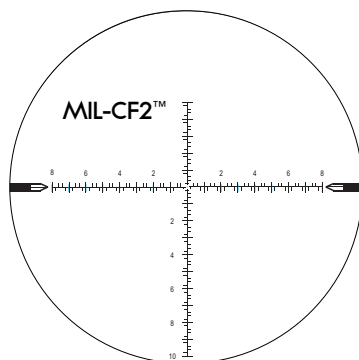
A true MOA is equal to one-sixtieth of one degree, which is 1.047" at 100 yards.

As an angular unit of measurement, the value is not an equal, linear amount at all distances. As such, 1 MOA is 1.047" at 100 yards, 2.094" at 200 yards, 3.141" at 300 yards, etc.

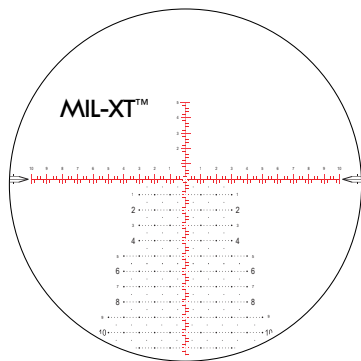
MIL-RADIAN



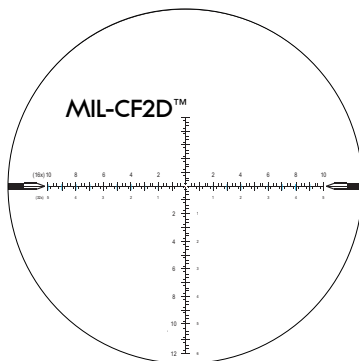
Designed for the Precision Rifle Series competitor and field shooters. Fast and accurate, superb range finding capabilities.



An F2 variant of our popular MIL-C reticle. The more simplified view allows for an uncluttered and open view of the target popular with F2 shooters.



An evolution of the MIL-C™, adding extra hold-over and hold-off markings for rapid target engagements.



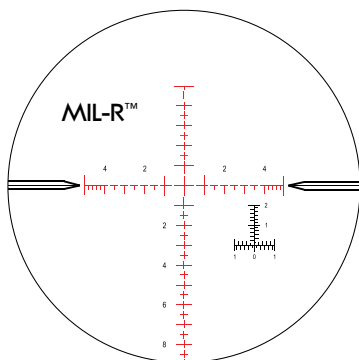
A Dual Scale version of our MIL-CF2 reticle. Specifically designed for use at 16x and 32x on the NX8 4-32x50.

Mil-Radian Explained

The incremental amount denoted as a Mil-Radian (Mil) is an angular system of measurement. A true Mil is equal to $1/6283$ of a circle, or 3.43775 MOA. This equals 3.600" at 100 yards or 10 cm at 100 meters.

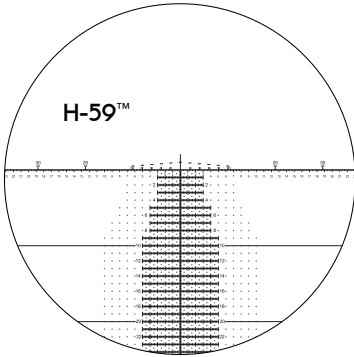
As an angular unit of measurement, the value is not an equal, linear amount at all distances.

As such, 1 Mil is 3.600" at 100 yards, 7.200" at 200 yards, 10.800" at 300 yards, etc.

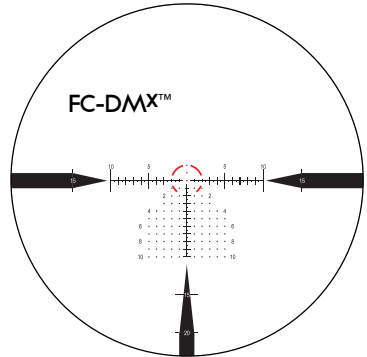


Clean and uncluttered, designed for speed and intuitive shooting, providing precision ranging, accurate hold-offs and quick followup shots.

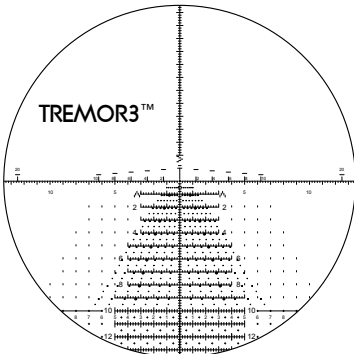
LOW POWER



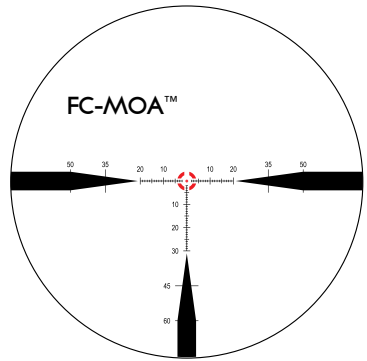
A rapid engagement reticle with multiple hold points and the *Accuracy 1st Speed Shooting Formula* built in.



Optimized for low power variable riflescopes with first focal plane reticles. The daylight visible illumination and aiming dot system allow for fast and precise target engagements at close and extended distances.

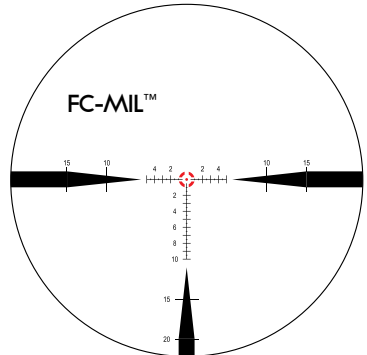


Designed for speed at any distance. Especially helpful in windy conditions. The *Accuracy 1st Speed Shooting Formula* is built in.

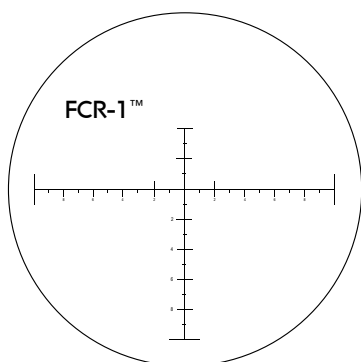


FC-MOA and FC-MIL were created and optimized for our low-power variable riflescopes. As first focal plane reticles, elevation and windage markings are valid at every magnification setting, providing precise hold and reference points. The daylight visible center dot is visible under the harshest light. Bold, pointed lines draw the eye to the center of the target.

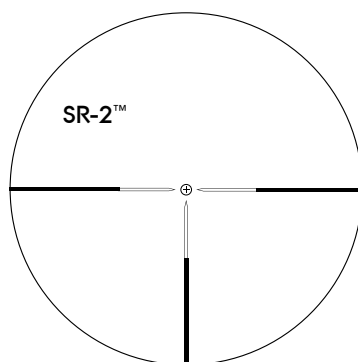
H-59 and TREMOR3™ are trademarks of Horus Vision.
Reticle designs © Horus Vision 2021, all rights reserved.



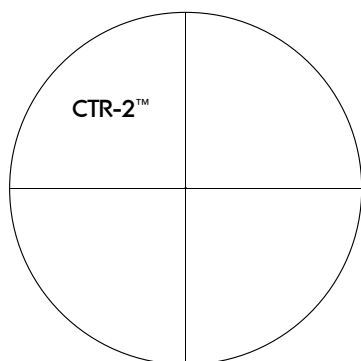
TARGET



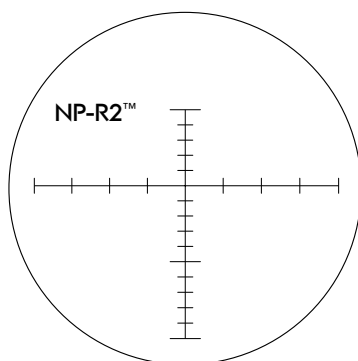
Developed with the help of U.S. F-Class rifle teams. Available in our Competition™ riflescopes.



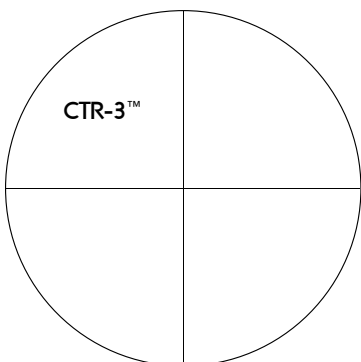
Designed exclusively for our Competition™ SR Fixed 4.5x24, it provides a winning edge at CMP and NRA service rifle matches. The circle and cross reticle is familiar to iron sight shooters.



Very fine lines with center dot for target and precision shooting. Competition™ riflescopes only.

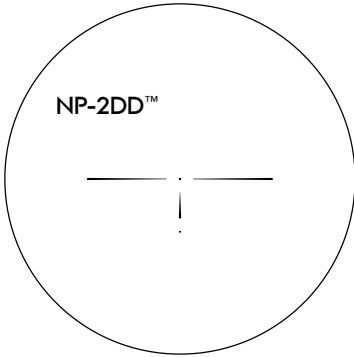


A classic Nightforce MOA reticle, created specifically for long-range applications in our Precision Benchrest models only.

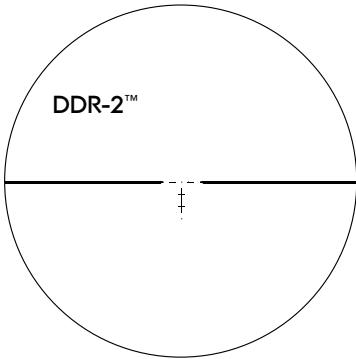


The simplest reticle we offer, having fine .016 MOA lines. Competition™ riflescopes only.

TARGET



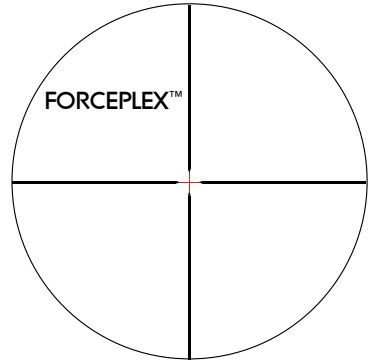
Unobstructed field of view and precise MOA reference markings make the NP-2DD™ ideal for both the varmint hunter and benchrest competitor.



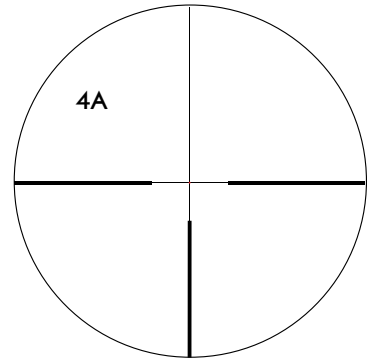
Perfect for the competitor and varmint shooter. .095 MOA center dot, vertical holdover markings. Competition™ riflescopes only.

Please note: Reticles offered in certain Nightforce riflescopes may have minor variations from those pictured here. Some reticles are available only in specific riflescopes. Please visit NightforceOptics.com for complete details.

HUNTING



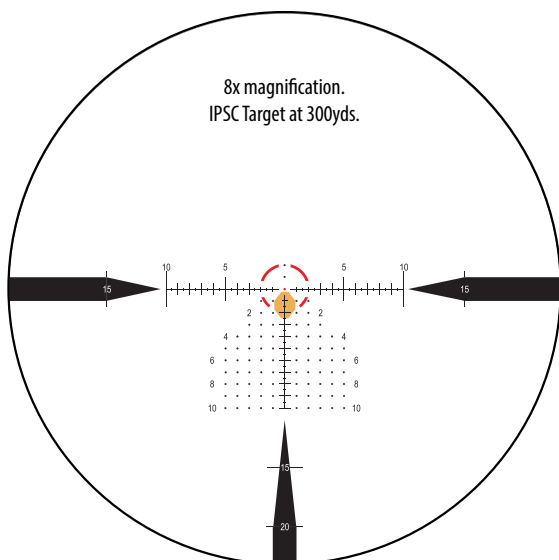
An improvement on traditional fourplex hunting reticles. Clean field of view will not obstruct target. North American markets only.



A classic style popular with European hunters for over a century. International markets only.

FC-DM^x RETICLE

New for 2021. The FC-DM^x gives target shooters, tactical professionals, and multigun competitors fast target acquisition, precise holds, and a clear view of the target with Nightforce's daylight visible illumination technology.



Open Center for Unobstructed Target View.

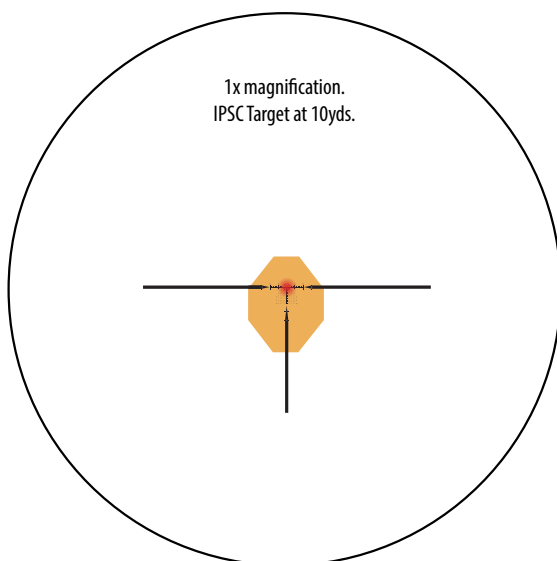
The center dot of the reticle is reduced in diameter to 0.2MRAD and the segmented circle has moved further from the center and reduced in thickness. The open center of the reticle allows faster target identification and a more precise aim point, while maintaining a bright dot appearance at 1x.

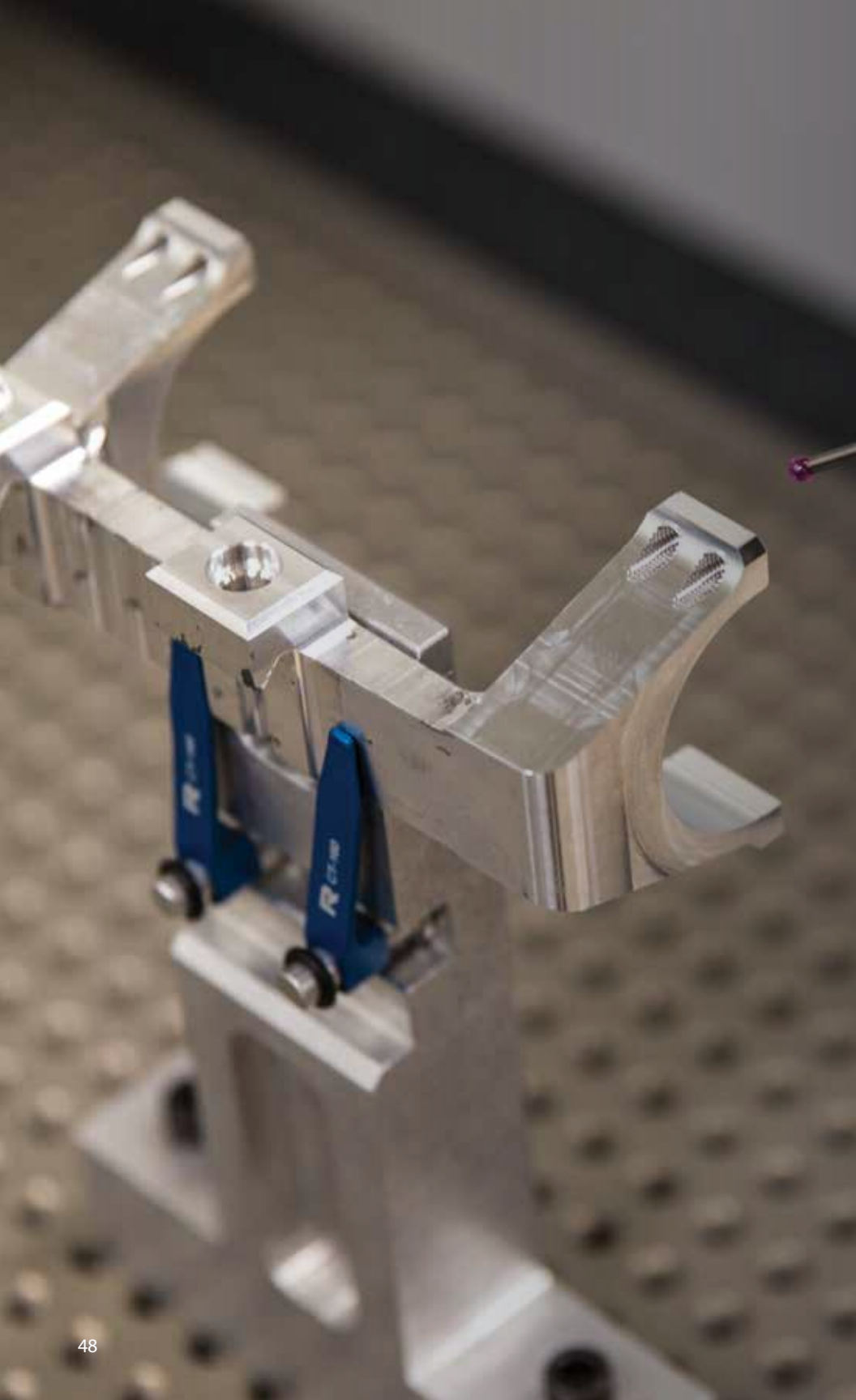
Precise Holds at Distance.

The FC-DM^x has an aiming grid for both elevation and windage that allows for precise holds. The mil-radian numbering is located outside the aiming grid for an unobstructed view of the target.

Fast Target Acquisition at 1x.

The daylight visible reticle illumination and heavy bars at 3, 6, and 9 o'clock draw the eye to the center aiming point. The larger diameter, thinner segmented circle ensures a bright and crisp aiming point.





ACCESSORIES

Nightforce goes to tremendous lengths to make Rugged, Reliable, Repeatable riflescopes. However, the performance of our riflescopes is only as good as the Rings or Mounts holding the riflescope and the base attaching it to the firearm. Heavy recoil, rough handling, and harsh environments can cause issues on poor quality mounting components.

Nightforce Rings, Mounts, Bases, and Accessories are designed and built to Nightforce's demanding standards of precision for those looking to maximize the performance of their riflescope.

X-TREME DUTY™

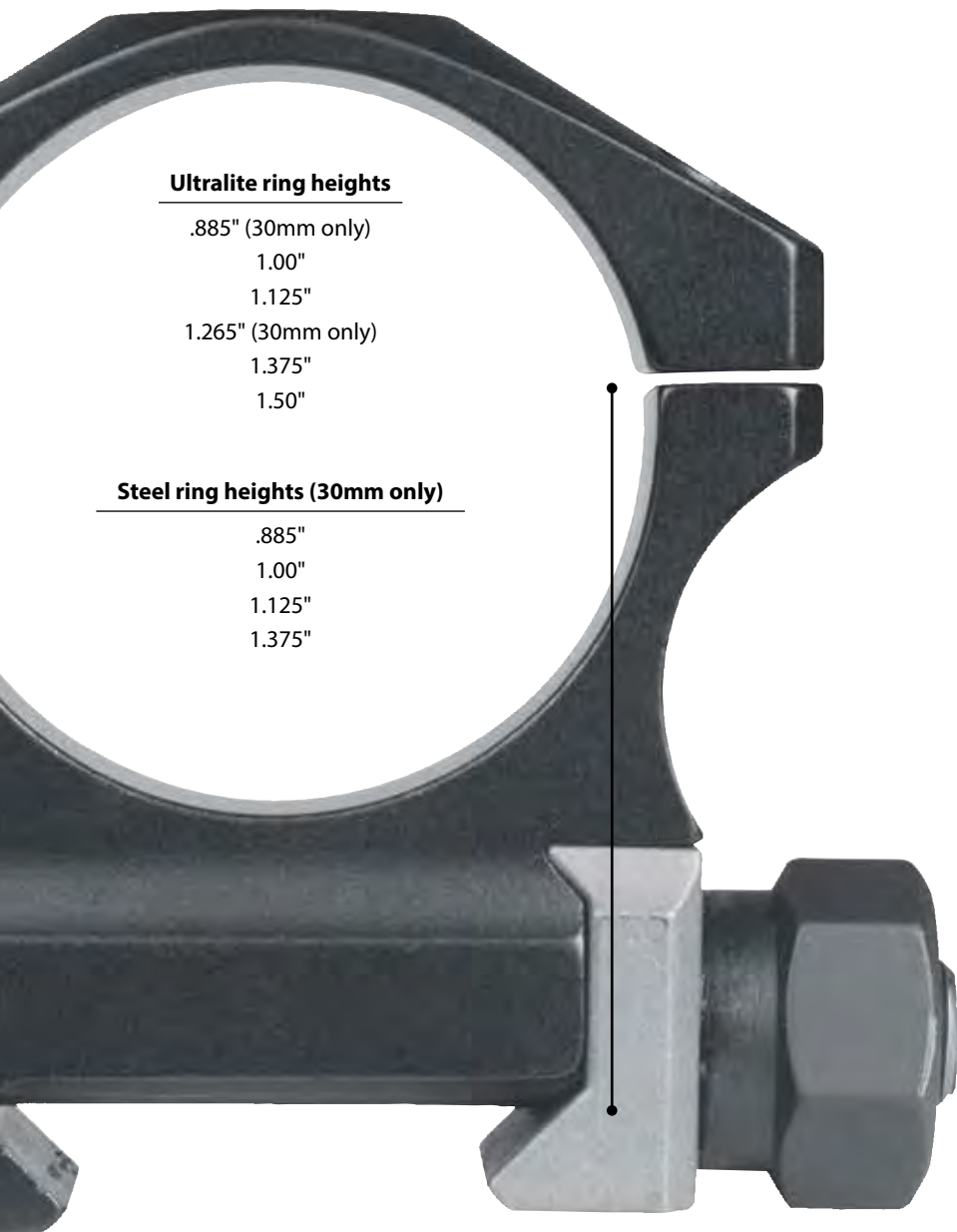
The Nightforce X-Treme Duty line are our most rugged and advanced Rings, Mounts, and Bases. A combination of Steel, Aluminum, and Titanium materials are machined to precise tolerances, producing a lightweight and strong mounting system that ensures the riflescope is not subjected to stress, strain, or bending as the ring screws are tightened.

Ultralite ring heights

.885" (30mm only)
1.00"
1.125"
1.265" (30mm only)
1.375"
1.50"

Steel ring heights (30mm only)

.885"
1.00"
1.125"
1.375"



X-TREME DUTY™ ULTRALITE™ RINGS

Available in four- and six-screw versions. Machined 7075-T6 hard anodized aluminum with titanium crossbolts and jaw provide the performance of steel at half the weight. Six-screw rings give 50% more clamping force.



30mm Ultralite™ Four-Screw

X-TREME DUTY™ STEEL RINGS

Made to our own stringent specifications to fit MIL-STD 1913 bases. A load-bearing recoil lug on the grade eight crossbolt precisely matches the machined cross lug of Nightforce bases, providing perfect alignment and superior accuracy. Four heights for 30mm diameter tubes.



30mm Ultralite™ Six-Screw



X-TREME DUTY™ STEEL BASE

Precision machined to exact MIL-STD 1913 specification rail dimensions from a single billet of steel, they match the receiver contour ensuring true alignment. Rem 700 and Win 70 bases include an integral recoil lug which provides a precise fit, prevents movement and reduces recoil stress on mounting screws. Standard with a 20 MOA taper, with a 40 MOA taper available for Rem 700 bases. Two-piece configurations available for Remington actions.



34mm Ultralite™ Four-Screw



34mm Ultralite™ Six-Screw

X-TREME DUTY UNIMOUNT AND MAGMOUNT

Mounts have long been popular on semi-automatic platforms like the AR-15/ AR-10 and have been growing in popularity on bolt action rifles. The Nightforce Ultralite™

Unimount™ and Magmount™ feature a CNC machined 7075-T6 hard anodized aluminum body and titanium crossbolts and jaws that are designed to be mounted to firearms with a MIL-STD 1913 rail. This unique design and construction provides the performance of steel at half the weight.

The Nightforce Unimount™ features a cantilever design that allows the scope to be mounted further forward than the rail length would typically allow. The Unimount™ design is particularly useful on AR-15, AR-10, and other semi-automatic rifles with a short receiver rail. An Extended Unimount™ and Service Rifle Unimount™ are also available that have additional cantilever when further eye relief is needed.

Extended Unimount™

30mm / 1.375" height / 20 MOA

34mm / 1.44" height / 20 MOA

Unimount™

30mm / 1.125" height / 20 MOA

30mm / 1.375" height / 20 MOA

30mm / 1.5" height / 0 or 20 MOA

34mm / 1.44" height / 20 MOA

34mm / 1.5" height / 0 or 20 MOA



Press-fit crossbolts provide rock-solid security on MIL-STD 1913 receivers.

The Magmount™ and Compact Magmount™ allow clearance of 56mm objective riflescopes on rifles with continuous rails. The third crossbolt adds greater stability against the heavy recoil found on professional and competition bolt action rifles.



Compact Magmount™

34mm / 1.5" height / 0 or 20 MOA

Magmount™

30mm / 1.375" height / 0 MOA

34mm / 1.44" height / 0 MOA



X-Treme Duty™

Direct Mount™

The Nightforce X-Treme Duty™ Direct Mount™ is more reliable and up to 45% lighter in weight than traditional mounting systems, it is ideal for both short or long Remington 700 actions. Its one-piece design ensures true alignment and maximum strength. The base and integral rings are CNC machined to precise tolerances from 7075-T6 hard anodized aluminum, providing exceptional strength while reducing weight. A 20 MOA taper maximizes internal riflescope adjustment and long-range capability. It incorporates an integral recoil lug which prevents any movement of the base or stress on the screws while subjected to harsh recoil.

30 mm diameter, offered in .885, 1.0 and 1.125 inch heights.

WEDGE PRISM

The Nightforce Wedge Prism is designed for shooting at ranges that exceed the elevation travel of the riflescope. The Wedge Prism optically shifts the incoming image to the riflescope by a precise elevation value, which directly adds to the available elevation travel of the system.



The Wedge Prism is offered in either 50MOA/14.5MRAD or 100MOA/29MRAD of optical shift. Each individual unit is measured and labeled with the exact optical shift for repeatable precision. If more travel is needed, two prisms can be mounted in line to create an optical shift equal to the sum of their individual, marked values.

A quick detach mount provides a tool-less and repeatable attachment to a MIL-STD 1913 rail in front of the riflescope. The Wedge Prism is designed for use with scopes mounted in 1.5in (± 0.125 in) rings/mounts and a rail/mount taper up to 60MOA.



TOP RING BUBBLE LEVEL

Replaces the top ring of our 30mm and 34mm Unimount™, Direct Mount™, Magmount™ and Ultralite™ rings and 30mm steel rings.



Top ring Bubble Level shown installed.

MULTIMOUNT™

Originally designed as a platform for close-range sights to be mounted in conjunction with a primary riflescope. In practice, the MultiMount offers a user-configurable system that is rock solid for nearly any accessory that will fit. Designed to fit 4- and 6-screw X-Treme Duty™ rings. Two MIL-STD 1913 rails included that can mount at 10, 12, and 2 o'clock.



RAP™

Our Ruggedized Accessory Platform (RAP) provides four inches of rail space above your riflescope for mounting of accessories. The RAP is optimized to withstand heavy recoil and still maintain the zero of even delicate accessories or sensors.

Designed to fit four- and six-screw X-Treme Duty™ rings and Unimounts.™



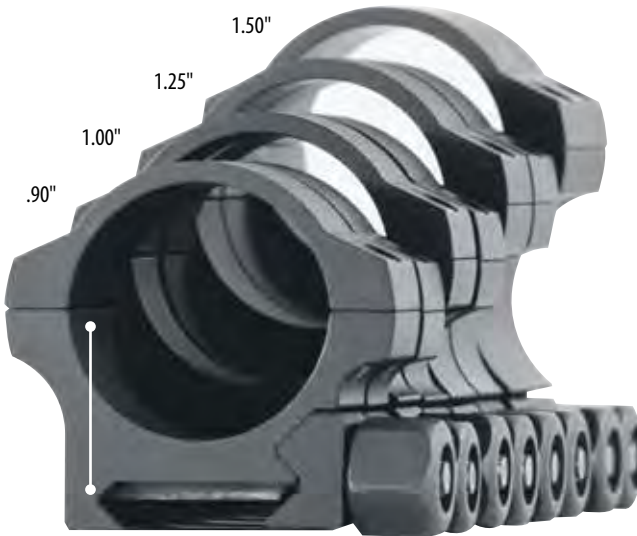
STANDARD DUTY RINGS

An ideal combination of durability and value.

Straightforward two-screw design simplifies installation and requires less front-to-back space, for applications where installation choices are limited.

The positive locking jaw design and machined recoil lug provide perfect alignment for superior accuracy when mounted to MIL-STD 1913 bases.

Offered in four heights for 30mm diameter tubes. An excellent mounting solution when partnered with a Standard Duty or X-Treme Duty™ base.



STANDARD DUTY BASES

Nightforce Standard Duty bases are a quality, affordable solution for ensuring that your scope is firmly mounted to your rifle. These aluminum bases are machined to MIL-STD 1913 rail specifications and hard anodized. Available for a wide variety of firearms, including: Howa 1500, Kimber 84, Remington 700, Ruger American, Savage Round & Flat Actions, Tikka T3, Weatherby MkV.



NIGHTFORCE TOOL KIT

The 10-piece Nightforce Tool Kit includes high-quality torque limiters, bits and drive tools in a zippered storage case that fits nicely in a range bag. Easily adjust mounting screws and components to recommended torque settings, which ensures your scope will stay in place during use, and prevents over-tightening which can damage scopes and affect accuracy.



NIGHTFORCE CLEANING KIT

The 12-piece Nightforce Cleaning Kit comes packed in a handy carrying case. It includes everything you need plus instructions for proper care and cleaning of fine optics.



FLIP-UP LENS CAPS, LENS COVERS, AND SUNSHADES

Sunshades reduce glare, while lens covers and lens caps provide maximum protection from damage and the elements.





SPOTTING SCOPES

Spotting scopes are an essential tool for rifle shooters. For hunters, being able to identify an animal at extreme distances can mean the difference between finding your trophy and walking miles for nothing. For target shooters, a spotting scope provides the resolution needed to both distinguish the score of a round on a paper target and the ability to read wind conditions at multiple distances.

Nightforce Spotting Scopes provide the same standard of quality, resolution, clarity, and color that you love in your Nightforce riflescope in the larger, more powerful, spotting scope design.

SPOTTING SCOPES

TS-82™ Xtreme Hi-Def™ 20-70x

The TS-82™ Xtreme Hi-Def™ 20-70x spotting scope meets, and exceeds the quality, resolution, brilliance, and fidelity of the world's most well-known European spotting scopes, many of which come with much higher price tags.

Our HD fluorite glass provides the truest, most brilliant color and razor-sharp resolution.



Magnification range	20-70x
Objective diameter	82mm
Lens coatings	Fully broadband multi-coated
Main body material	Magnesium alloy
Eyepiece outer diameter	1.87"/47.5mm (1.89"/48mm eyecup dia)
Weight	63.0 oz/1786 g
Waterproof	Yes
Nitrogen purged	Yes
Focus	Barrel
Focus rotations, 6 m to ∞	1 3/4 turns

Eyepiece	Twist-up, removable
Tripod platform	Magnesium
Armoring	Full rubber
Protective caps	Eyepiece and objective lens covers
Tripod thread	1/4-20
Exit pupil	20x: 4.1 mm 70x: 1.2 mm
Eye relief	0.7 in/18 mm
Field of view @ 100 yd/m	20x: 12.3 ft/4.1 m 70x: 4.9 ft/1.6 m

SPOTTING SCOPES

TS-80™ Hi-Def™ 20-60x

The TS-80™ Hi-Def™ 20-60x offers a combination of value and performance you simply won't find elsewhere. Lenses of premium ED glass provide bright, crisp images. Its superior optical design results in excellent light transmission. And, like all Nightforce products, it stands up to the harshest of field conditions.



Magnification range	20-60x
Objective diameter	80mm
Lens coatings	Fully broadband multi-coated
Main body material	Magnesium alloy
Eyepiece outer diameter	2.20"/56.0mm (2.24"/57mm eyecup dia)
Weight	68.0 oz/1928 g
Waterproof	Yes
Nitrogen purged	Yes
Focus	Barrel
Focus rotations, 6 m to ∞	2 turns

Eyepiece	Twist-up, removable
Tripod platform	Magnesium
Armoring	Full rubber
Protective caps	Eyepiece and objective lens covers
Tripod thread	1/4-20
Exit pupil	20x: 4.0 mm 60x: 1.3mm
Eye relief	0.7 in/19 mm
Field of view @ 100 yd/m	20x: 10.5 ft/3.5 m 60x: 5.7 ft/1.9 m

SPOTTING SCOPE ACCESSORIES

CARRYING CASE

Carries your spotting scope and accessories. Available individually or as a kit that includes spotting scope, eyepiece, protective sleeve, cleaning kit, fob lens cloth, and grommet kit.



HEAVY-DUTY SLEEVES

Add protection to your spotter without compromising functionality.



TS-80™



TS-82™

MIL-STD 1913 RAIL

Allows attachment of a wide range of accessories to the TS-82 spotting scope.



APPAREL

Whether you're at the range or around town, Nightforce branded apparel allows you to show off your passion for shooting and hunting. Our new apparel features premium materials and the quality touches that you'd expect from Nightforce. With many styles and colors to choose from, and new designs constantly in development, there is always something new from Nightforce to check out.



RUGGED RELIABLE
REPEATABLE
NF



QUALITY GEAR YOU CAN COUNT ON

It's what built the iconic Nightforce brand. Naturally, our all new apparel line carries on that legacy with modern fit and premium materials for high-quality, long lasting comfort. All available in multiple colors and sizes.

All New Nightforce Gear - For Your Rugged, Reliable, Repeatable Lifestyle



THE CHOICE OF USSOCOM

These commemorative shirts celebrate Nightforce winning 2 riflescope contracts with USSOCOM. They feature our S-VPS (ATACR 1-8x24 F1) or P-VPS (ATACR 7-35x56 F1) riflescopes paired with iconic military rifles.

**THESE AND OTHER GREAT APPAREL ITEMS
ARE AVAILABLE AT WWW.NIGHTFORCEOPTICS.COM**



NIGHTFORCE MIL-SPEC

**RUGGED. RELIABLE. REPEATABLE.
MISSION AFTER MISSION. OPERATION AFTER OPERATION.**

Nightforce MIL-SPEC riflescopes are built and tested to standards beyond our commercial riflescopes to ensure utter reliability and performance in a combat environment. Each MIL-SPEC riflescope undergoes a battery of tests to validate compliance with the required components of MIL-STD 810G. Most testing is performed to validate performance in extreme temperature and pressure conditions used to simulate combat dive and combat jump operations. We understand the cost of failure for our end users, which prompts the increased testing needed to ensure Nightforce MIL-SPEC products perform at their best in a combat theater.



“After countless hours of refinement, precision in design and perfection in assembly have been achieved. Nightforce is proud to have earned type classifications for the USSOCOM contract variants of our ATACR 1-8x24 F1 (SU-294/PVS), ATACR 5-25x56 F1 (SU-295/PVS), and ATACR 7-35x56 F1 (SU-296/PVS). Providing superior product to military groups has always been a cornerstone to Nightforce. Past, present, and future we will always ensure that our MIL-SPEC users have the kit they need for the task at hand.”

Klaus Johnson
Vice President, Engineering

NIGHTFORCE MIL-SPEC RIFLESOPES (“M” PREFIX PART NUMBERS) ARE NOT SOLD ON THE COMMERCIAL MARKET. ADDITIONALLY, NIGHTFORCE OFFERS CUSTOM CONFIGURATIONS TO MEET THE UNIQUE NEEDS OF THE PROFESSIONAL END USER. PLEASE CONTACT THE NIGHTFORCE MIL-GOV-LE DEPARTMENT FOR MORE INFORMATION.

WARRANTY & SERVICE

A WARRANTY IS NO SUBSTITUTE FOR INHERENT QUALITY

We think the best warranty is one you'll never have to use. The fact is, far less than 1% of the scopes we build are ever returned for warranty service.

Yes, all Nightforce riflescopes are covered by a transferable Limited Lifetime Warranty. If we did something wrong, we'll fix it.

REAL, EXPERT SERVICE. NOT LIP SERVICE

We have a full-time, in-house customer service staff available to you should you need help before or after your purchase. Our customer service team is comprised of experienced shooters, hunters, and trained factory technicians that are ready and willing to help with questions on choosing the right product, applications, how-tos, fitment or any concerns you might have.

We also enjoy hearing about your successes in the field or on the range, so don't hesitate to call. And we love seeing photos.

You can reach our Customer Service Team at:

Phone: 208.476.9814 ext 3

Email: info@nightforceoptics.com

Postal: 336 Hazen Lane, Orofino, ID 83544

CONTACT US

FACTORY/HEADQUARTERS AND CUSTOMER SERVICE

336 Hazen Lane, Orofino, ID 83544
tel 208.476.9814 / info@nightforceoptics.com

NORTH AMERICAN SALES

2749 Providence Church Road, Lavonia, GA 30553
tel 800.732.9824 ext 8440 / dealersales@nightforceoptics.com

MIL-GOV-LE

2749 Providence Church Road, Lavonia, GA 30553
tel 800.732.9824 ext 8420 / militaryinfo@nightforceoptics.com

INTERNATIONAL SALES

2749 Providence Church Road, Lavonia, GA 30553
tel 800.732.9824 ext 8410 / intlsales@nightforceoptics.com

MARKETING

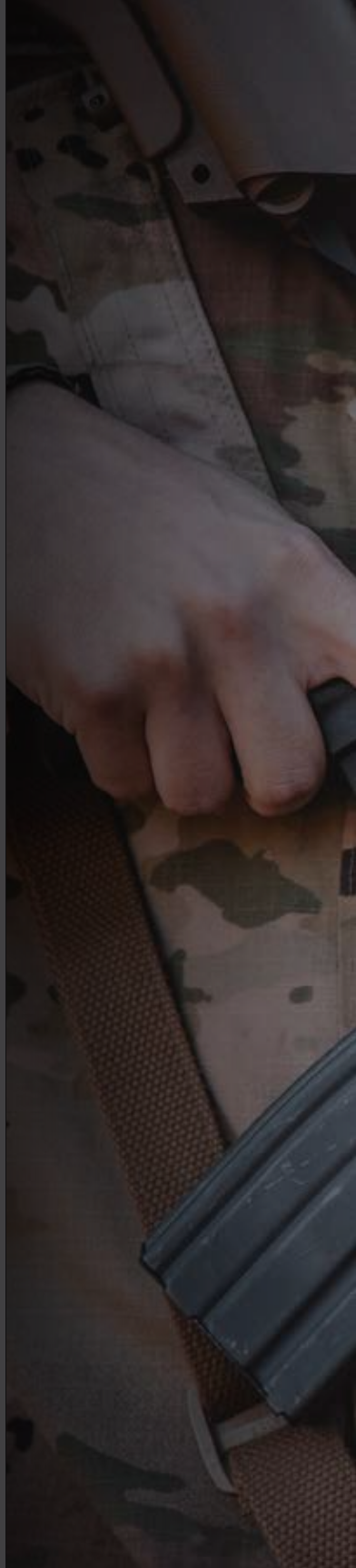
3405 E. Overland Road, Suite 375, Meridian, ID 83642
tel 706.460.5505 / marketing@nightforceoptics.com

AUSTRALIAN SALES

11 Manton Street, Hindmarsh, SA 5007 / Australia
tel +61 (0)8 8440 0888

INTERNATIONAL WARRANTY & SERVICE

Contact your country's authorized Nightforce Optics distributor and/or retailer for instructions. A list of international distributors and dealers can be found at www.NightforceOptics.com.



Export Compliance: Riflescopes, spotting scopes and accessories listed within are controlled for export by the U.S. Department of State, under the International Traffic In Arms (ITAR) regulations (22 CFR, Parts 120-130), and/or the Department of Commerce under the Bureau of Industry and Security Export Administration Regulations (15 CFR, Parts 730-774). To export products outside of the United States of America, you must comply with the regulatory agency's license and documentation requirements.

Nightforce USA, Inc., dba Nightforce Optics. © Nightforce Optics 2021. All information herein is accurate at time of printing. Specifications and product appearances subject to change without notice. All trademarks, graphics and designs herein are the property of Nightforce Optics.